



# Novus

Direct Vent & B-Vent Series



Shown with Arts & Crafts antique copper front and Fireside Furnishings™ Roseville surround and beige marble.

**heatilator**  
*The first name in fireplaces*

# Product

## Direct Vent & B-Vent Series

### Absolutely The Best Gas Fireplace In The Entry Level Market!

- **Choose from 4 sizes** - 30", 33", 36" and 42" wide viewing areas.
- **Top/rear direct vent** - All direct vent models have top/rear vent integrated to simplify ordering and installation.
- **Choice of designer fronts and trim** - Top and bottom louvers standard and a choice of optional fronts including the unique Modernist and Arts & Crafts in four stunning finishes and trim kits in two exciting new finishes.
- **Realistic logs** - Capture the look of natural wood with even more realistic sculpting and colors.
- **More firebox options** - Black firebox interior standard with optional herringbone or traditional ceramic fiber refractory also available.
- **Large viewing area** - Generous viewing area reveals logs and large, dancing flames. Safety screen is standard on all models for added peace of mind.
- Novus direct vent and b-vent models have **same framing dimensions** - simplifies installation!
- **Depth is value** - 19<sup>1</sup>/<sub>8</sub>" deep firebox on all models.
- **Heater listed** to ANSI Z21.88 standards.
- **Btu/hour input** - **30"** 20,000/14,000; **33"** 22,000/15,000; **36"** 25,000/17,000; **42"** 30,000/20,500

#### *IntelliFire™*



- With IntelliFire, there's no need for a constantly burning pilot, saving the homeowner an average of \$10-12 per month.
- When the fireplace is turned on, the pilot lights first then ignites the main burner. When the fireplace is not operating, the pilot also shuts down.
- The Intellifire system installation choices include hardwiring, hardwiring with a battery backup or operating with two size D batteries (not included).
- All models available in standing pilot or the revolutionary Intellifire ignition system.

#### *Certifications/General Considerations*

- Certified for installation in bedrooms and bed/sitting rooms. Direct vent models also certified for mobile homes.
- The rough framing dimensions shown represent the distance from stud to stud only and do not take into consideration the addition of drywall.
- Wiring for an optional fan kit or remote control must be done prior to finishing the installation.
- A hearth extension is not required.

#### *Venting Specifications*

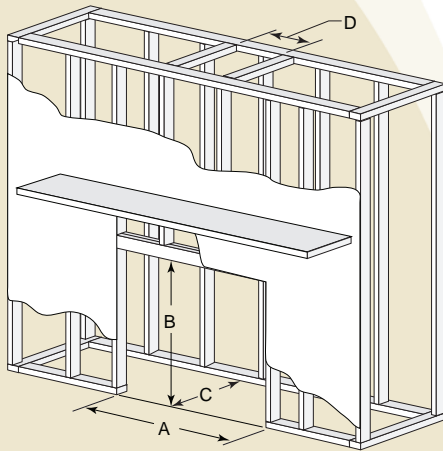
- Use of Heatilator DVP Series venting and accessories is required. 5" inner pipe; 8" outer pipe.
- Horizontal runs: 1" clearance bottom and sides; 3" clearance top. Vertical runs: 1" clearance.

#### *Finishing Materials*

- When finishing the Novus, combustible material may be brought up to the sides of the fireplace but must never overlap the black area. The black metal may be completely covered with noncombustible material only, such as marble, tile, stone, etc.

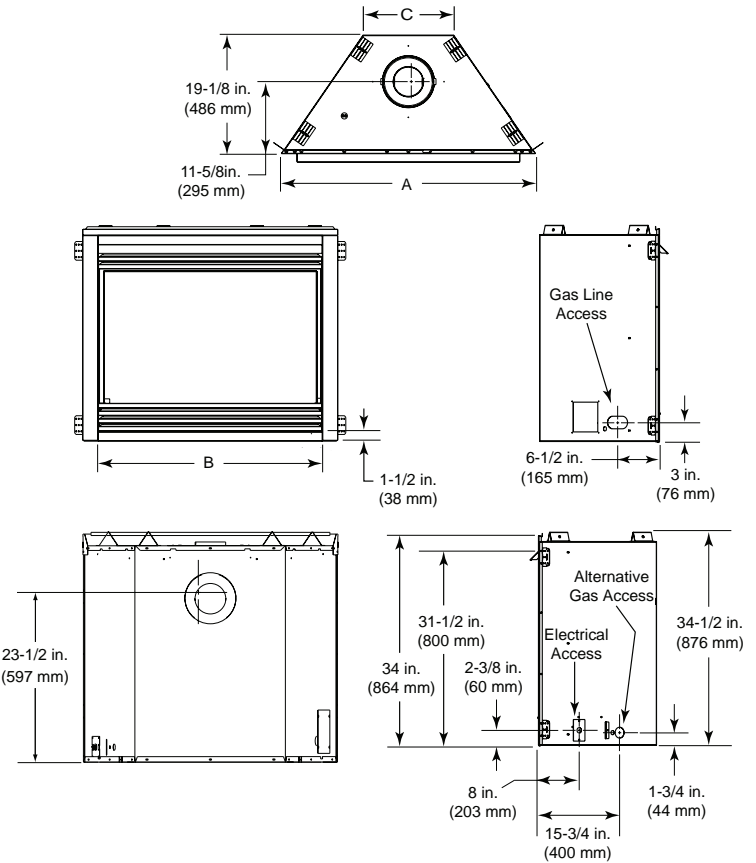
This information is for planning purposes only. Please refer to installation instructions when installing this product.

### Framing Dimensions

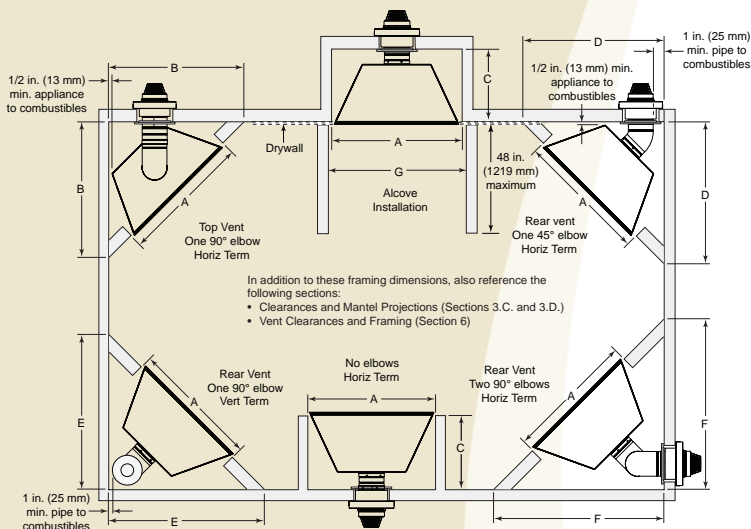


| Model  |     | A<br>Rough Opening<br>(Width) | B<br>Rough Opening<br>(Height) | C<br>Rough Opening<br>(Depth) | D<br>Rough Opening<br>(DVP Pipe) |
|--------|-----|-------------------------------|--------------------------------|-------------------------------|----------------------------------|
| ND3630 | in. | 36                            | 34-7/8                         | 19-5/8                        | 10                               |
|        | mm  | 914                           | 886                            | 498                           | 254                              |
| ND3933 | in. | 39                            | 34-7/8                         | 19-5/8                        | 10                               |
|        | mm  | 991                           | 886                            | 498                           | 254                              |
| ND4236 | in. | 42                            | 34-7/8                         | 19-5/8                        | 10                               |
|        | mm  | 1067                          | 886                            | 498                           | 254                              |
| ND4842 | in. | 48                            | 34-7/8                         | 19-5/8                        | 10                               |
|        | mm  | 1219                          | 886                            | 498                           | 254                              |

### Product Dimensions



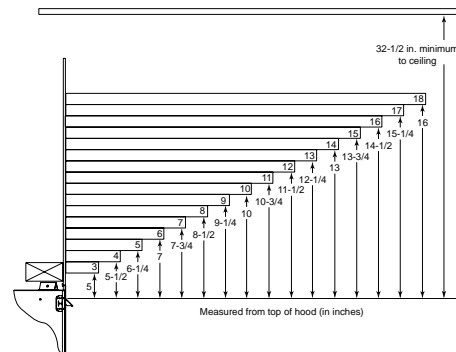
### Clearance Dimensions



| Model  |        | A    | B      | C      | D      | E    | F      | G    |
|--------|--------|------|--------|--------|--------|------|--------|------|
| ND3630 | inches | 36   | 33-1/2 | 19-5/8 | 43-3/8 | 47   | 53-1/4 | 37   |
|        | mm     | 914  | 851    | 498    | 1102   | 1194 | 1353   | 940  |
| ND3933 | inches | 39   | 35-1/2 | 19-5/8 | 43-3/8 | 47   | 53-1/4 | 40   |
|        | mm     | 991  | 902    | 498    | 1102   | 1194 | 1353   | 1016 |
| ND4236 | inches | 42   | 37-5/8 | 19-5/8 | 43-3/8 | 47   | 53-1/4 | 43   |
|        | mm     | 1067 | 956    | 498    | 1102   | 1194 | 1353   | 1092 |
| ND4842 | inches | 48   | 41-7/8 | 19-5/8 | 43-3/8 | 47   | 53-1/4 | 49   |
|        | mm     | 1219 | 1064   | 498    | 1102   | 1194 | 1353   | 1245 |

| Model  |     | A    | B    | C      |
|--------|-----|------|------|--------|
| ND3630 | in. | 35   | 30   | 8-5/8  |
|        | mm  | 889  | 762  | 219    |
| ND3933 | in. | 38   | 33   | 11-5/8 |
|        | mm  | 965  | 838  | 295    |
| ND4236 | in. | 41   | 36   | 14-5/8 |
|        | mm  | 1041 | 916  | 371    |
| ND4842 | in. | 47   | 42   | 17-5/8 |
|        | mm  | 1194 | 1067 | 524    |

### Mantel Projections



# Novus

Direct Vent & B-Vent Series

OPTIONS



Arts & Crafts Front



Modernist Front

Finish options shown here available for the Modernist and Arts & Crafts fronts



Antique  
Copper



Brushed  
Nickel



Pewter



DFN0, 3, 6/B/S  
DFC2/B/S



TKN03,23,33,63B/S



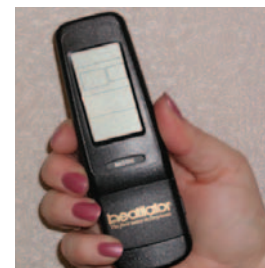
DFA30, 33,36,42/B/S



Traditional Brick Refractory



Herringbone Brick Refractory



Remotes  
RC-BATT-HTL  
RC-SMART-HTL  
RCT-MLT-HTL  
SMART-STAT-HTL  
SMART-BATT-HTL



WSK-MLT-HTL

## Options Not Pictured

Fan kit  
Outside air kit (BV models only)  
Wall switches  
L.P. conversion kit  
Natural gas conversion kit  
Trim kits (2 strips)  
  
Mantels, surrounds & stone

GFK4B, GFK21B  
AK14  
WSK-21-HTI, WSK-21-W-HTI  
CKVP, DCKVP  
CKVN, DCKVN  
TKN05B/S, TKN35B/S,  
TKN25B/S, TKN65B/S  
See MSRP Book



WSK100-HTL



WSK200-HTL

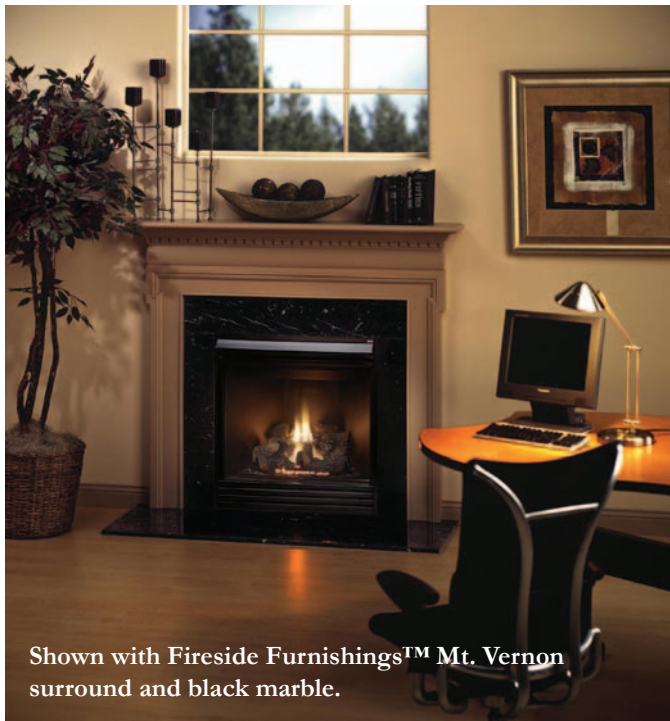


WSK300-HTL

# Novus

Direct Vent & B-Vent Series

NOVUS POSSIBILITIES



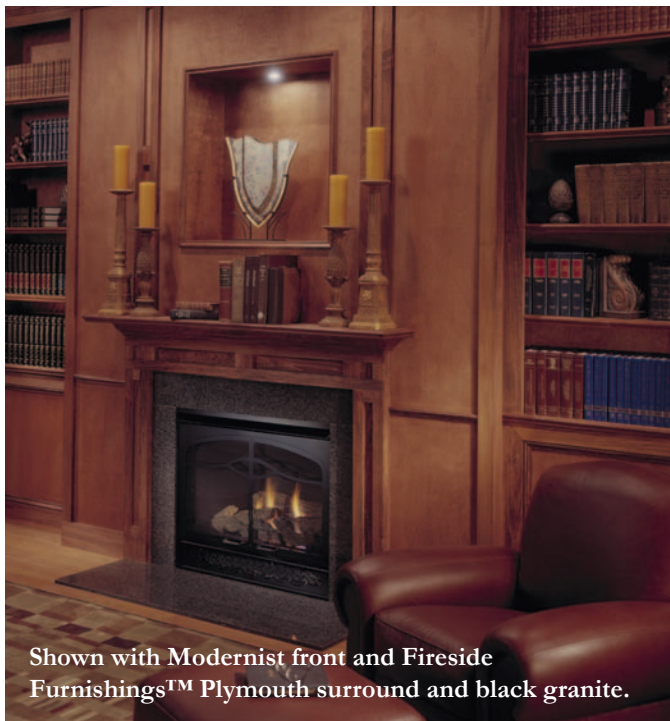
Shown with Fireside Furnishings™ Mt. Vernon surround and black marble.

30" Novus in Office



Shown with Fireside Furnishings™ Roseville surround and beige marble.

33" Novus in Kitchen



Shown with Modernist front and Fireside Furnishings™ Plymouth surround and black granite.

36" Novus in Den



Shown with Fireside Furnishings™ Mt. Vernon surround and beige marble.

42" Novus in Bedroom

*It isn't home without a Heatilator.*

# Product

Direct Vent & B-Vent Series

MODELS AVAILABLE

## Top/Rear Direct Vent

| Unit Size |         | Model No. | Ignition   |             | Fuel |    |
|-----------|---------|-----------|------------|-------------|------|----|
| Framing   | Viewing |           | Stdg Pilot | IntelliFire | NG   | LP |
| 36"       | 30"     | ND3630    |            |             |      |    |
| 36"       | 30"     | ND3630L   |            |             |      |    |
| 36"       | 30"     | ND3630I   |            |             |      |    |
| 36"       | 30"     | ND3630IL  |            |             |      |    |
| 39"       | 33"     | ND3933    |            |             |      |    |
| 39"       | 33"     | ND3933L   |            |             |      |    |
| 39"       | 33"     | ND3933I   |            |             |      |    |
| 39"       | 33"     | ND3933IL  |            |             |      |    |
| 42"       | 36"     | ND4236    |            |             |      |    |
| 42"       | 36"     | ND4236L   |            |             |      |    |
| 42"       | 36"     | ND4236I   |            |             |      |    |
| 42"       | 36"     | ND4236IL  |            |             |      |    |
| 48"       | 42"     | ND4842    |            |             |      |    |
| 48"       | 42"     | ND4842L   |            |             |      |    |
| 48"       | 42"     | ND4842I   |            |             |      |    |
| 48"       | 42"     | ND4842IL  |            |             |      |    |

## B-Vent

| Unit Size |         | Model No. | Ignition   |             | Fuel |    |
|-----------|---------|-----------|------------|-------------|------|----|
| Framing   | Viewing |           | Stdg Pilot | IntelliFire | NG   | LP |
| 36"       | 30"     | NB3630    |            |             |      |    |
| 36"       | 30"     | NB3630I   |            |             |      |    |
| 39"       | 33"     | NB3933    |            |             |      |    |
| 39"       | 33"     | NB3933I   |            |             |      |    |
| 42"       | 36"     | NB4236    |            |             |      |    |
| 42"       | 36"     | NB4236I   |            |             |      |    |
| 48"       | 42"     | NB4842    |            |             |      |    |
| 48"       | 42"     | NB4842I   |            |             |      |    |

AVAILABLE FROM

**heatilator**  
*The first name in fireplaces*

a brand of Hearth & Home Technologies Inc.

1915 West Saunders Street • Mt. Pleasant, Iowa 52641

800-927-6841 • heatilator.com

The information provided in this literature is for planning purposes only. Please consult the installation manual for actual installation.

Actual product appearance may differ from product images.

Specifications and options are subject to change.

HTL-1009U-0806