



Caliber®

Direct Vent & B-Vent Gas Fireplaces

Caliber mesh shown with optional weathered refractory and Fireside Furnishings™ Phoenix surround and black marble

heatilator
The first name in fireplaces

Caliber® Series,

A beautiful view of a beautiful fire

- Caliber is available in mesh and louvered styling
 - Simple and clean mesh styling creates an attractive, streamlined fireplace appearance, a trend consumers are demanding
 - Louvered models feature top and bottom louvers—standard for the look that some homeowners may still prefer
- Choose from two sizes, 36" and 42" wide viewing widths
- Choice of standing pilot or IntelliFire ignition system in direct vent or B-vent
- Direct vent models preserve Indoor Air Quality (IAQ) and provide efficient zone heating
- Six designer front choices in lustrous finishes
- All-inclusive Harbor and Phoenix Retreat Hearth Systems available to create that coordinated, inviting space
- Steel refractory interior lining is standard, with upgraded weathered refractory available
- Certified for installation in bedrooms; direct vent models also certified for mobile homes
- BTU/hour input - 36" - 30,000; 42" - 33,000
- Heater listed to ANSI Z21.88 standards
- UL tested and listed; Limited Lifetime Warranty



Louvered Caliber shown with Fireside Furnishings™ Phoenix surround and black marble

IntelliFire™ Ignition System

- With Intellifire, there's no need for a constantly-burning pilot, saving the homeowner an average of \$10-12 per month
- When the fireplace is turned on, the pilot lights first, then ignites the main burner; when the fireplace is not operating, the pilot also shuts down
- The IntelliFire system may be wired for 120V or operate with two D size batteries (not included) for operation during a power outage



Caliber shown with Harbor Hearth System



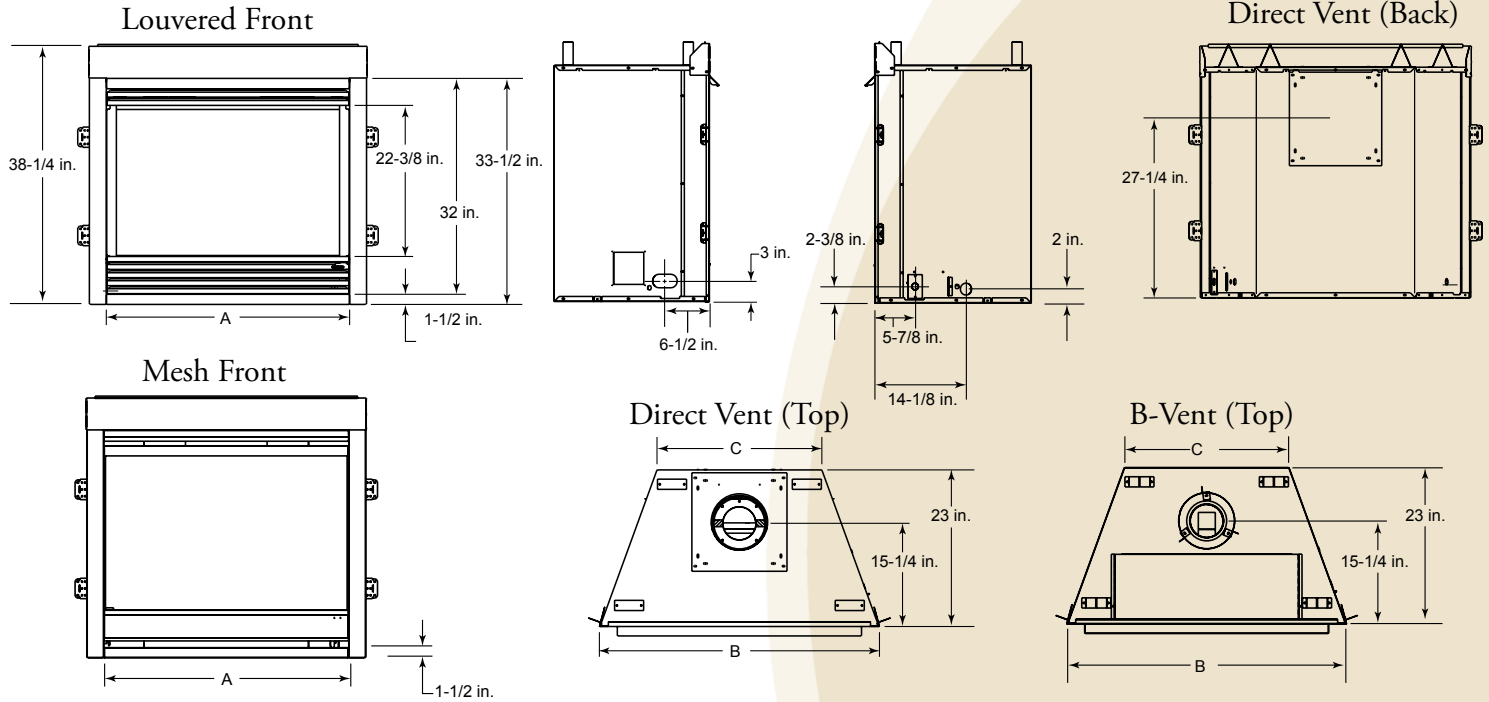
Caliber shown with Phoenix Retreat Hearth System

Exceptional Value

Dependable

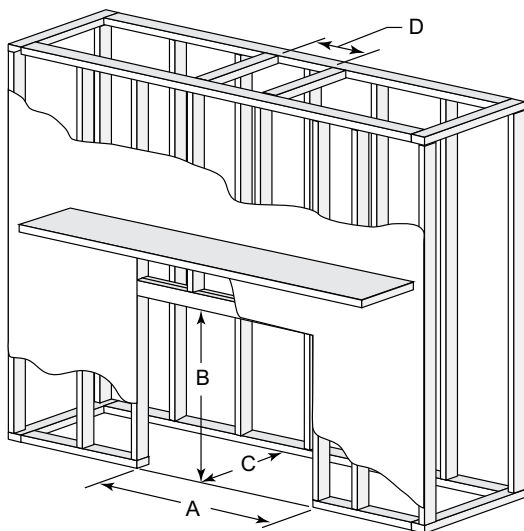
Caliber Series Technical Specifications

Product Dimensions



Model	A	B	C
CD4236 CB4236	36 in.	41-1/4 in.	24-1/4 in.
CD4842 CB4842	42 in.	47-1/2 in.	30-1/4 in.

Framing Dimensions



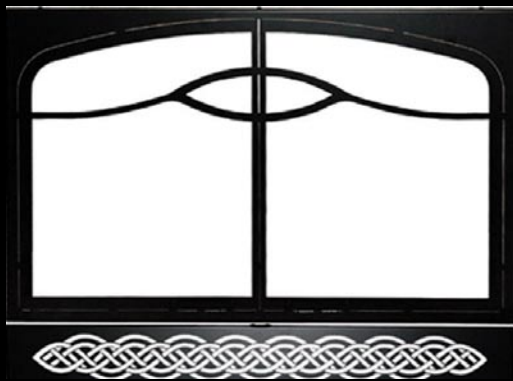
Model	A Rough Opening (Width)	B Rough Opening (Height)	C Rough Opening (Depth)	D Rough Opening (DVP Pipe)
CD4236 CB4236	42 in.	38-3/4 in.	23-1/2 in.	10 in.
CD4842 CB4842	48 in.	38-3/4 in.	23-1/2 in.	10 in.

Please refer to installation instructions for complete specifications and framing dimensions when installing this product.
Go to www.heatilator.com to download.

Caliber® Series*

Viewing Size	Model No.	Fuel Choices	Venting
36"	CD4236	Natural or LP	Direct Vent
42"	CD4842	Natural or LP	Direct Vent
36"	CB4236	Natural or LP	B-Vent
42"	CB4842	Natural or LP	B-Vent

Optional Decorative Fronts*



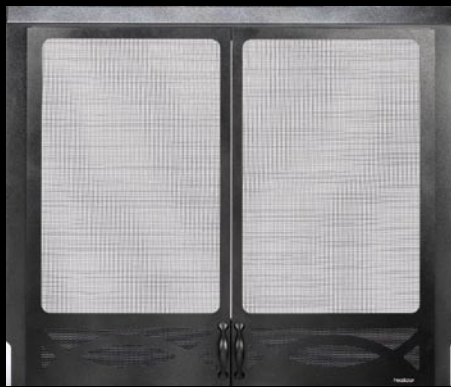
Modernist



Arts & Crafts



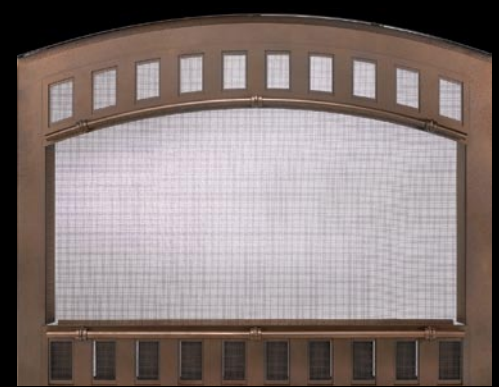
Jamestown



Harbor



Phoenix Retreat



Contour
(DV only)

Options Not Pictured*

Weathered Refractory
Gas Conversion Kits
Fan Kits
Trim Kits

Outside Air Kit
Remotes & Wall Switches
Mantels & Surrounds

Venting Accessories*

DVP Cinch Pipe or 5" B-Vent

AVAILABLE FROM

heatilator®
The first name in fireplaces

a brand of Hearth & Home Technologies Inc.

1915 West Saunders Street • Mt. Pleasant, Iowa 52641

800-927-6841 • heatilator.com

Heatilator is a registered trademark of Hearth & Home Technologies Inc.

The information provided in this literature is for planning purposes only.

Actual product appearance may differ from product image.

*Please consult the MSRP book for a complete list of models and optional accessories.

HTL-1012U-0308