



# Caliber<sup>®</sup> nXt

Direct Vent Gas Fireplace

Shown with Contour front in bronze

**heatilator**<sup>®</sup>  
*The first name in fireplaces*

# Caliber® nXt Series,

## High efficiency gas fireplace that economically warms the home!



Shown with Arts & Craft front in pewter finish

- AFUE heater efficiency of 70%; steady state efficiency of 75%
- Standard 160 cfm fan helps move warmed air into the room
- Choice of six signature Heatilator fronts to create just the right look (one required for unit completion—sold separately)
- Optional Heat Zones available to route heated air to other areas of the home
- Top or rear direct vent allows installation along interior or exterior walls, below grade, or in corners

- The standard wall switch (WSK-MLT-HTL) provides complete control at your fingertips by offering an ON/OFF ability, fan control, HI/LOW flame control, pilot function, thermostat capabilities and room temperature display
- Sealed combustion chamber uses only outside air for combustion, helping to preserve indoor air quality and prevent negative air pressure problems
- 27,500 to 45,000 Btus/input per hour
- UL tested and listed; Limited Lifetime Warranty



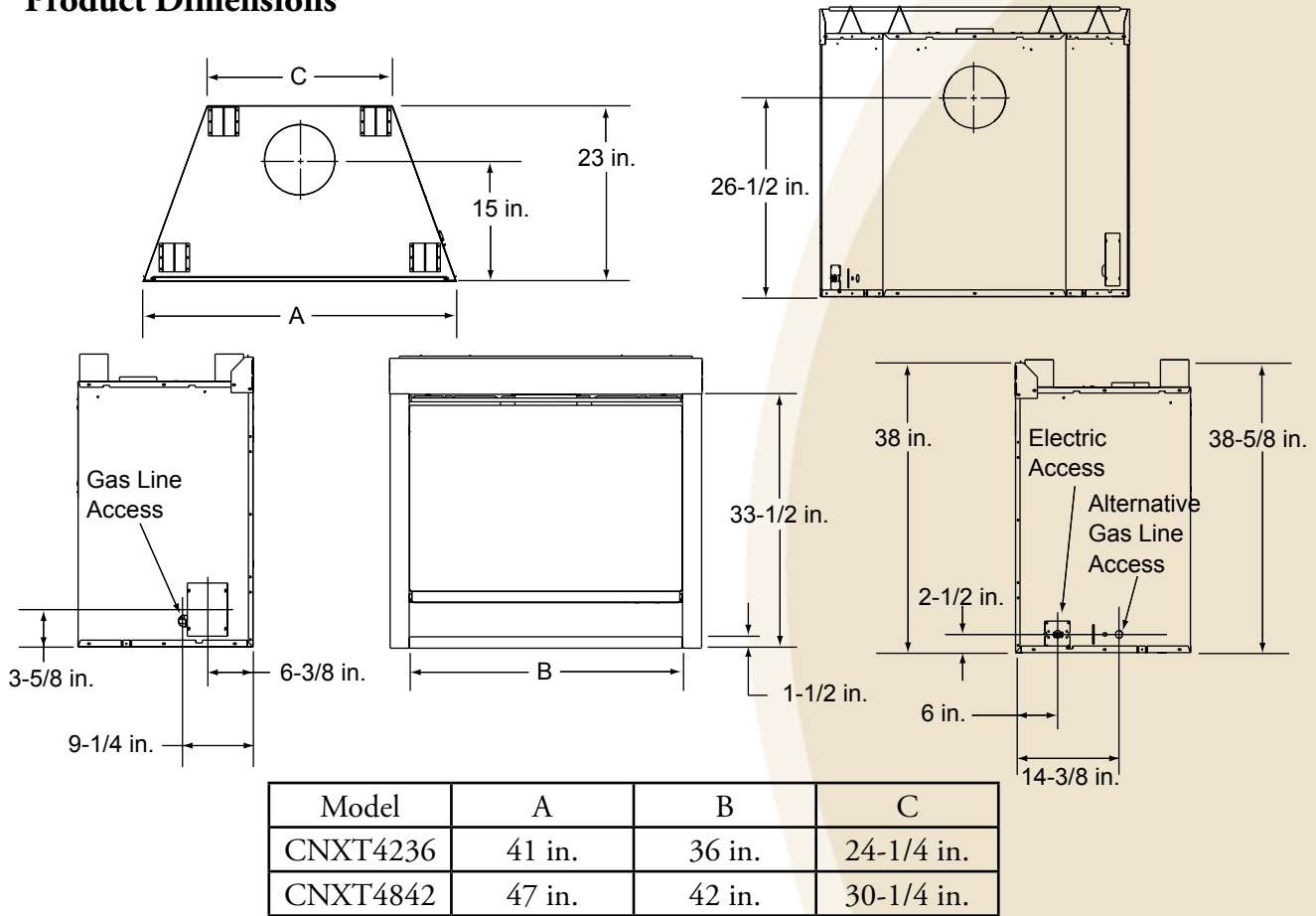
WSK-MLT-HTL  
(fan kit included)

### IntelliFire™ Ignition System

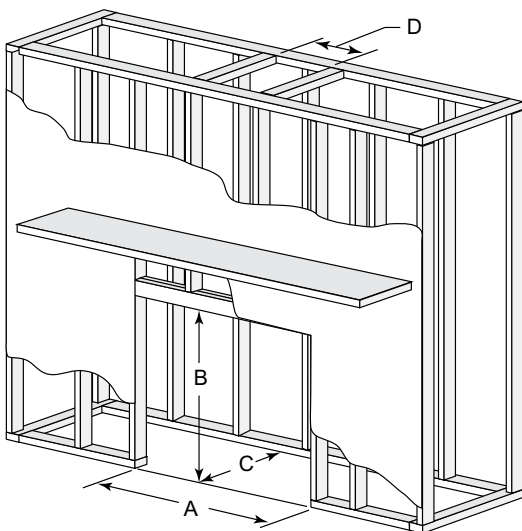
- Eliminates a standing pilot, reducing fuel consumption, saving money and being environmentally friendly
- Dependable in a power outage with battery backup

# Caliber nXt Series Technical Specifications

## Product Dimensions



## Framing Dimensions



Model	A Rough Opening (Width)	B* Rough Opening (Height)	C Rough Opening (Depth)	D Rough Opening (DVP Pipe)
CNXT4236	42 in.	38-3/4 in.	23-1/2 in.	10 in.
CNXT4842	48 in.	38-3/4 in.	23-1/2 in.	10 in.

\*NOTE: The appliance **must** be raised 1-1/4 in. off floor so the Harbor system can be used. Adjust framing and vent locations accordingly.

Please refer to installation instructions for complete specifications and framing dimensions when installing this product.  
Go to [www.heatilator.com](http://www.heatilator.com) to download.

# Caliber® nXt Series

Viewing Size	Model No.	Fuel Choices	Venting
36"	CNXT4236	Natural or LP	Direct Vent
42"	CNXT4842	Natural or LP	Direct Vent

## Decorative Fronts (one required)



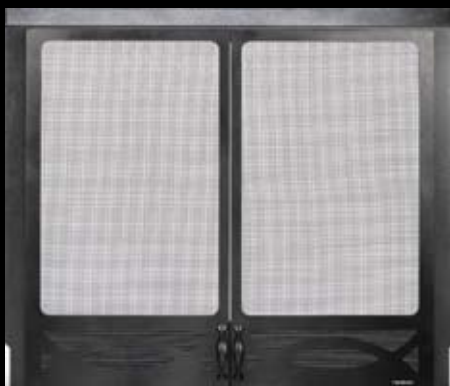
**Modernist**  
(black, nickel, pewter)



**Arts & Crafts**  
(black, nickel, pewter)



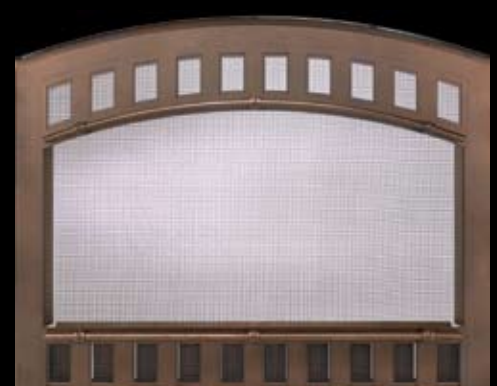
**Jamestown**  
(black, pewter)



**Harbor**  
(bronze, pewter)



**Phoenix Retreat**  
(bronze, pewter)



**Contour**  
(black, bronze)

### Options Not Pictured\*

Heat Zone  
Gas Conversion Kits  
Mantels & Surrounds

### Venting Accessories\*

DVP Cinch Pipe

AVAILABLE FROM

**heatilator®**  
*The first name in fireplaces*

a brand of Hearth & Home Technologies Inc.

1915 West Saunders Street • Mt. Pleasant, Iowa 52641

800-927-6841 • heatilator.com

Heatilator is a registered trademark of Hearth & Home Technologies Inc.

The information provided in this literature is for planning purposes only.

Actual product appearance may differ from product image.

\*Please consult the MSRP book for a complete list of models and optional accessories.



HTL-1014U-0408