



See-Through Fireplace

GDST5244I Direct Vent Gas Fireplace



Shown with FFSTMESH front, Fireside Furnishings™ custom shelf
and beige marble

heatilator
The first name in fireplaces

GDST5244I See-Through, Cast more light, warmth & style!



Shown with Arts & Crafts front, Fireside Furnishings™ custom shelf and beige marble



Shown standard

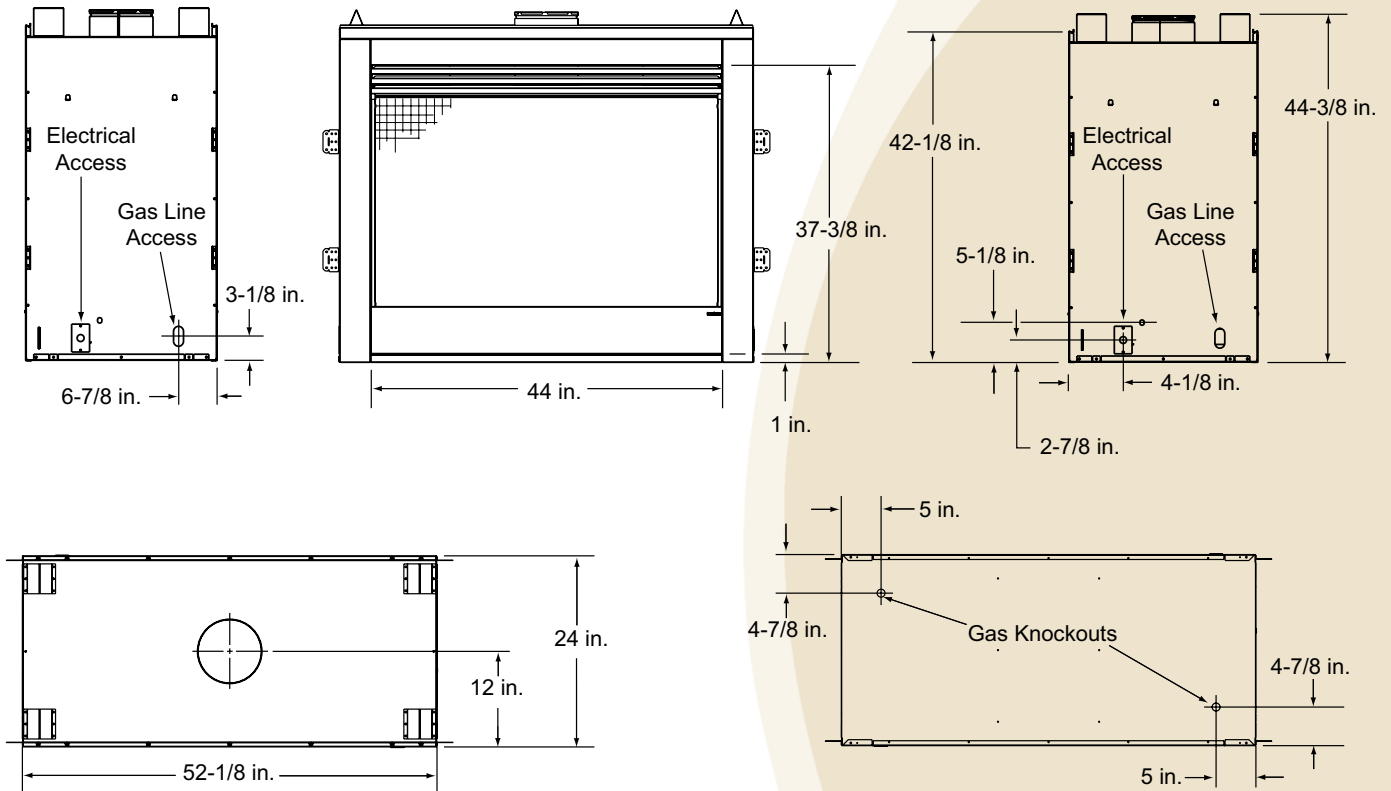
- Unique, two-room, see-through gas fireplace is the largest in the industry
- An incredible design solution to unify two rooms for the cost of just one fireplace
- Choice of three optional fronts let you mix and match to best suit your personal style
- An optional 160 CFM fan is available for maximizing your fireplace's heat generation
- Traditional-patterned brick refractory adds realism and beauty to your new fireplace
- 11 hand-painted logs, richly detailed and incredibly realistic, capture the look of natural wood
- Unit is available in LP and natural gas
- Variable Flame: 34,000–48,000 Btu/Hour Input (NG)
- Variable Flame: 31,500–43,000 Btu/Hour Input (LP)
- Sealed combustion chamber uses only outside air for combustion, helping to preserve indoor air quality and prevent negative air pressure problems
- Tested and listed to UL Safety Standards

IntelliFire™ Ignition System

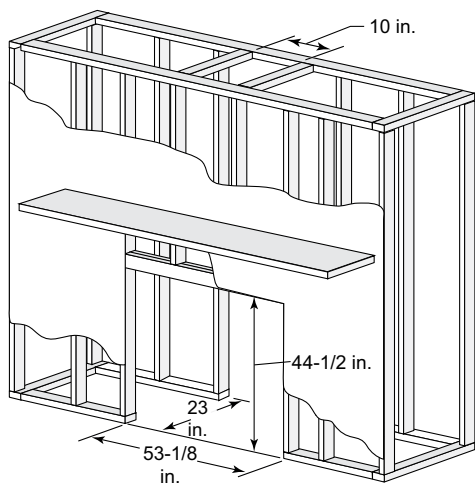
- With Intellifire, there's no need for a constantly-burning pilot, saving the homeowner an average of \$10-12 per month
- When the fireplace is turned on, the pilot lights first, then ignites the main burner; when the fireplace is not operating, the pilot also shuts down
- The IntelliFire system may be wired for 120V or operate with two D size batteries (not included) for operation during a power outage

GDST5244I See-Through Technical Specifications

Product Dimensions



Framing Dimensions



Please refer to installation instructions for complete specifications and framing dimensions when installing this product.
Go to www.heatilator.com to download.

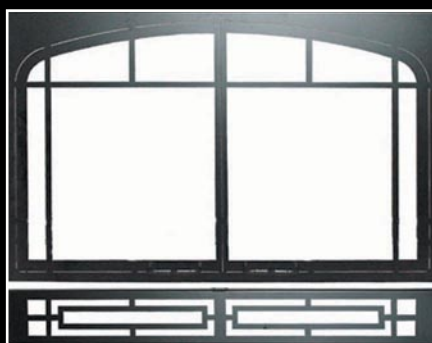
GDST5244I See-Through Gas Fireplace

Viewing Size	Model No.	Fuel Choices	Venting
44"	GDST5244I/IL	Natural or LP	Direct Vent

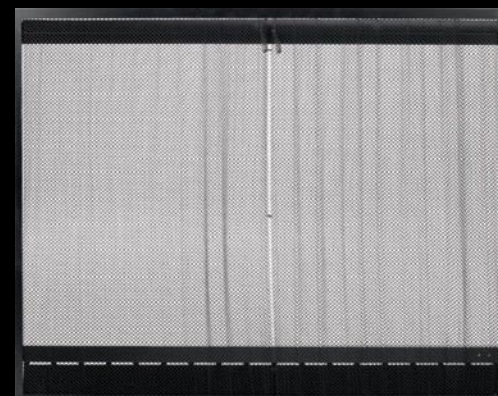
Decorative Fronts*



Modernist
(black and pewter)



Arts & Crafts
(black and pewter)



Mesh
(black)

Options Not Pictured*

Trim Kit
Fan Kit
Gas Conversion Kits
Mantels & Surrounds

Venting Accessories*

DVP Cinch Pipe

AVAILABLE FROM

heatilator
The first name in fireplaces

a brand of Hearth & Home Technologies Inc.
1915 West Saunders Street • Mt. Pleasant, Iowa 52641
800-927-6841 • heatilator.com



Heatilator is a registered trademark of Hearth & Home Technologies Inc.
The information provided in this literature is for planning purposes only.
Please consult the installation manual for actual installation. Actual product appearance may differ from product image.

*Please consult the MSRP book for a complete list of models and optional accessories.

HTL-1015U-0308