



Wood Multi-Sided Series

Woodburning Fireplaces



heatilator[®]
The first name in fireplaces

Wood Multi-Sided Series, the Possibilities are Unlimited!

- Your choice of see-through, corner and peninsula models
- Full refractory lining, steel grate, safety fire screen and ash lip create a true masonry fireplace appearance
- Stunning variety of designer option choices, including glass doors, gas logs, wood and cast surrounds, and granite and marble finishing materials
- Radiant, clean-faced design allows finishing materials to be brought up to the fireplace opening
- Outside air kit standard in see-through and peninsula models; optional in corner models
- A hearth extension is required
- Tested and listed to UL127 safety standards
- Heatilator Warranty**



See-through model shown standard



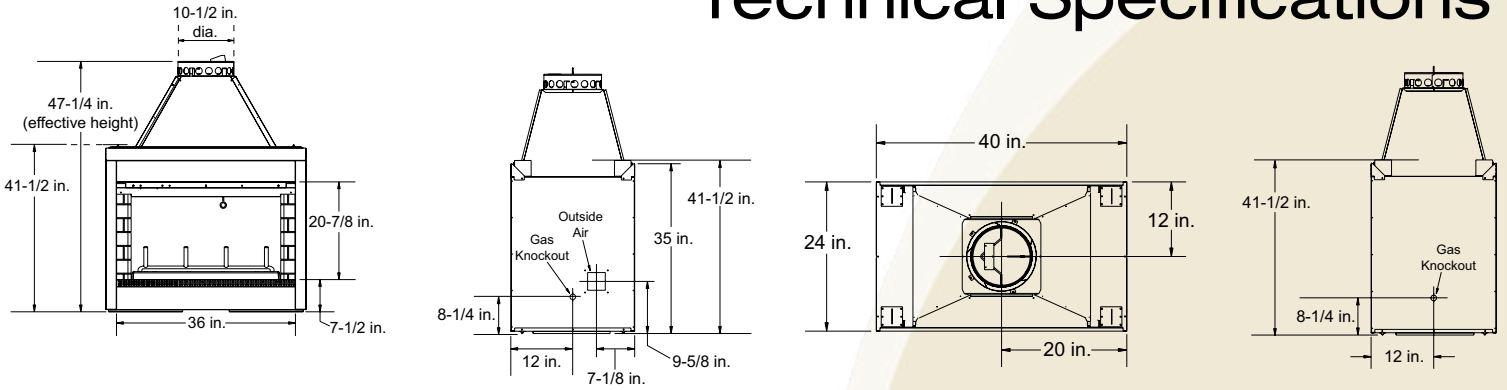
Corner model shown with optional glass doors



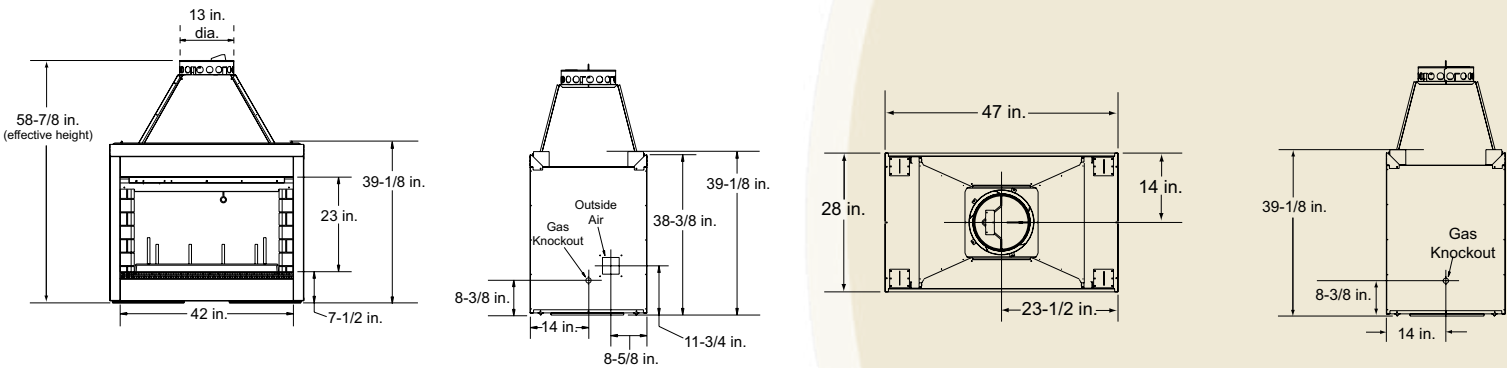
Peninsula model shown with optional glass doors

Wood Multi-Sided Series Technical Specifications

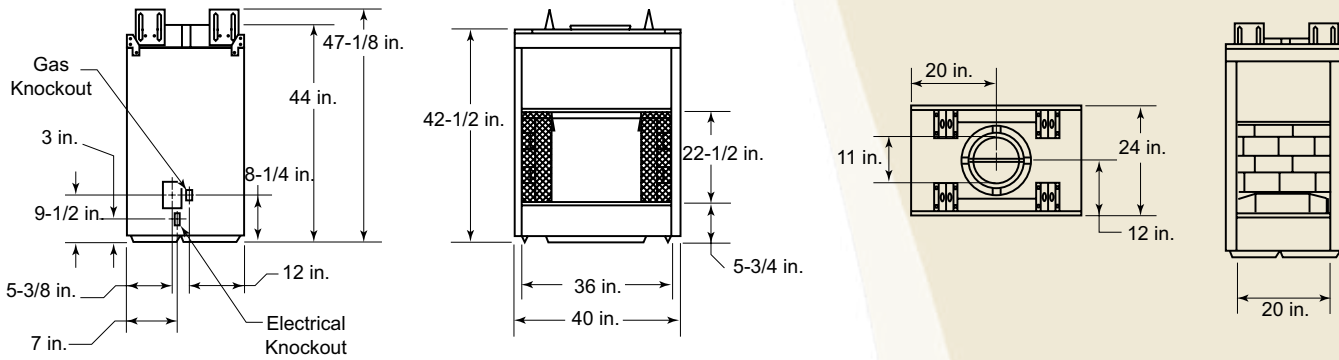
ST36D



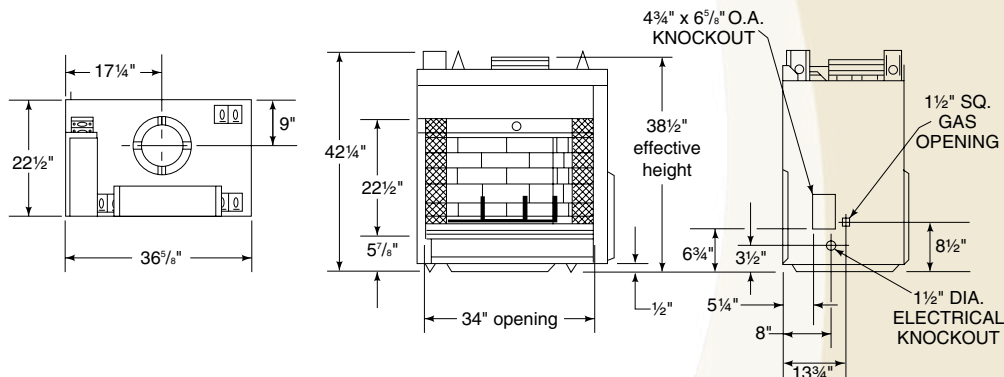
ST42A



FL92



CL36D & CR36D



Please refer to installation instructions for complete specifications and framing dimensions when installing this product.
Go to www.heatilator.com to download.

Wood Multi-Sided Series

Models Available*

| Configuration | Model No. | Viewing Width |
|----------------------|----------------|---------------|
| See-through | ST36D or ST42A | 36" & 42" |
| Peninsula | FL92 | 36" |
| Left or Right Corner | CL36D or CR36D | 34" |

Options*



Glass Doors



Gas Logs

Options Not Pictured*

Remote Controls (for gas logs)
Outside Air Kit (for corner units)
Chimney Air Kit
Mantels and Surrounds

Venting

Heatilator SL300 or SL1100 Series

heatilator[®]
The first name in fireplaces

a brand of Hearth & Home Technologies Inc.

1915 West Saunders Street
Mt. Pleasant, Iowa 52641
800-927-6841 • heatilator.com

The information provided in this literature is for planning purposes only. Please consult the installation manual for actual installation. Actual product appearance may differ from product images.

*Please consult the MSRP book for a complete list of models and optional accessories

**For full warranty details go to www.heatilator.com

AVAILABLE FROM

HTL-1023U-0808